



# the leaf

 PONGS®



# of silence

## Create a soothing atmosphere with Soundleaves®

Soundleaves® are leaf-shaped elements intended to reduce disrupting ambient sounds. Sophisticated design paired with a maximum of sound absorption, developed by Dutch acoustics experts Incatro BV. The perfect symbiosis of functional and aesthetic properties was awarded the prestigious Red Dot Design Award by Design Zentrum NRW in 2017. Covered with acoustic textiles SILENCIO® and AKUTEX® the acoustic elements are exclusively available from PONGS.

The striking, curvy design sets Soundleaves® well apart from conventional, static acoustic panels and adds an emotional touch to professional interior design. They can be put in place flexibly, as single elements or in groups, in order to enhance room acoustics.

They come in four different styles which can be combined.

soundleaves  
ACOUSTIC SOLUTIONS

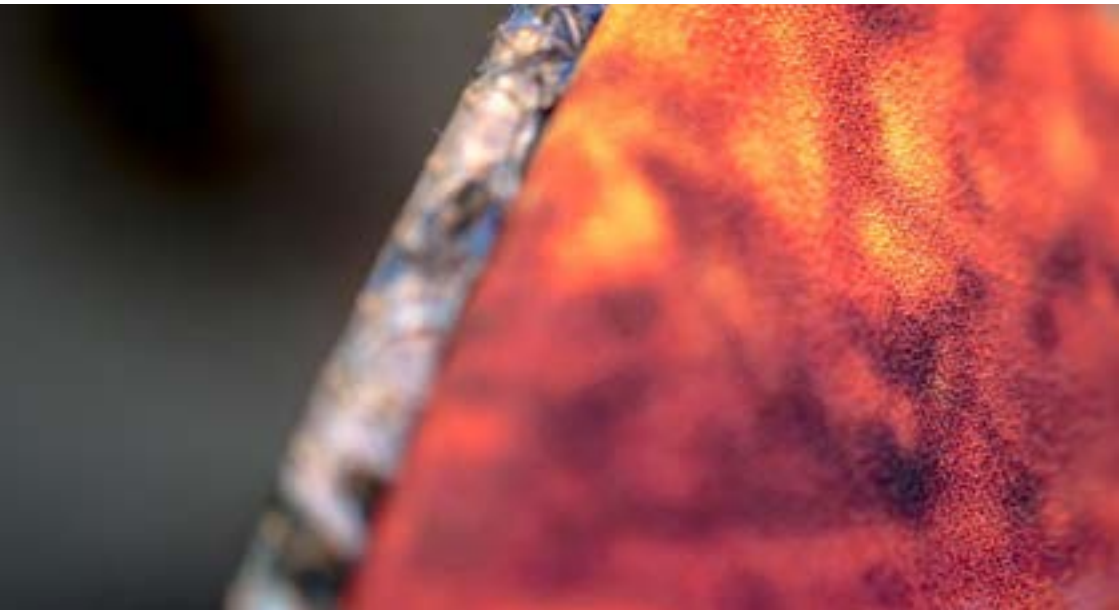




ple  
asure

of tranquility

**air series;  
suspended  
from the ceiling**



Smooth, acoustically hard ceilings often cause disturbing noise reflexions. Create playful, colourful noise barriers above or in-between workstations and in open-plan or high rooms.

## Measurements

570 x 660 x 110 mm

## Cover fabrics

AKJUTEX®  
SILENCIO®

## Fire resistance class

Euro-Class B: flame-retardant  
EN 13823, Fgra <120 w/s + thr < 7.5 mj  
EN ISO 11925-2 (30 sec- Fs<150 mm-60 sec)

## Acoustic information

NRC 0.95 |  $A_{\text{element}} = 0.7$

## Weight

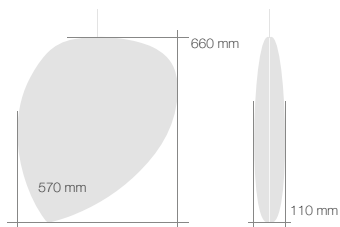
ca. 3,2 kg

## Mounting

At the ceiling using steel wire.  
Elements can be linked (max.4).

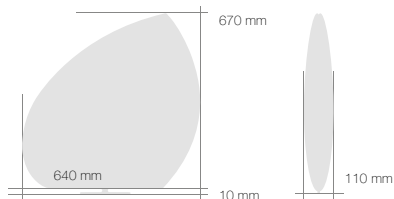
## Recommended retail price (net)

from 504.00 €/piece



# desk series; at eye level

Create silence and privacy at your (mobile) workstation. The ideal flexible acoustic solution for those who enjoy decorating their own office space.



## Measurements

640 x 670 x 110 mm

## Base

flat, matte black steel  
ø 180 mm, thickness 5 mm

## Cover fabrics

AKUTEX®  
SILENCIO®

## Fire resistance class

Euro-Class B: flame-retardant  
EN 13823, Figra <120 w/s + thr < 7.5 mj  
EN ISO 11925-2 (30 sec- Fs<150 mm-60 sec)

## Acoustic information

NRC 0.95 |  $A_{\text{element}} = 0.7$

## Weight

ca. 6.0 kg including base

## Mounting

Round base that stands freely on the desk.

## Recommended retail price (net)

from 545.00 €/piece





desk series



# floor series; partitioning space

Create silent workstations in big, open-plan rooms and place acoustic barriers between them.

## Measurements

available in 2 sizes  
1100 x 1500 x 110 mm  
1100 x 1800 x 110 mm

## Base

flat, matte black steel  
ø 180 mm, thickness 5 mm

## Cover fabrics

AKUTEX®  
SILENCIO®

## Fire resistance class

Euro-Class B: flame-retardant  
EN 13823, Figra <120 w/s + thr < 7.5 mj  
EN ISO 11925-2 (30 sec- Fs<150 mm-60 sec)

## Acoustic information

1500 mm high: NRC 0.95 |  $A_{\text{element}} = 2.4$   
1800 mm high: NRC 0.95 |  $A_{\text{element}} = 2.9$

## Weight

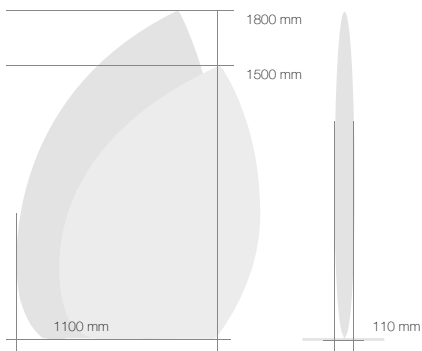
1500 mm high: ca. 26.0 kg including base  
1800 mm high: ca. 30.0 kg including base

## Mounting

Flat base that stands on the floor.

## Recommended retail price (net)

1500 mm high: from 1344.00 €/piece  
1800 mm high: from 1511.00 €/piece



# wall series; holding tight

The most creative and effective solution to reverberations and disturbing noise reflexions for walls in case the speech intelligibility is very poor.

## Measurements

570 x 660 x 59 mm

## Cover fabrics

AKUTEX®  
SILENCIO®

## Fire resistance class

Euro-Class B: flame-retardant  
EN 13823, Figra <120 w/s + thr < 7.5 mj  
EN ISO 11925-2 (30 sec- Fs<150 mm-60 sec)

## Acoustic information

NRC 0.95 |  $A_{\text{element}} = 0.4$

## Weight

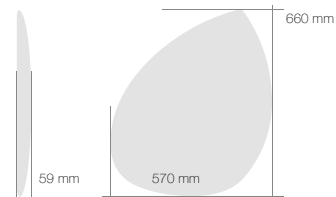
ca. 2.6 kg

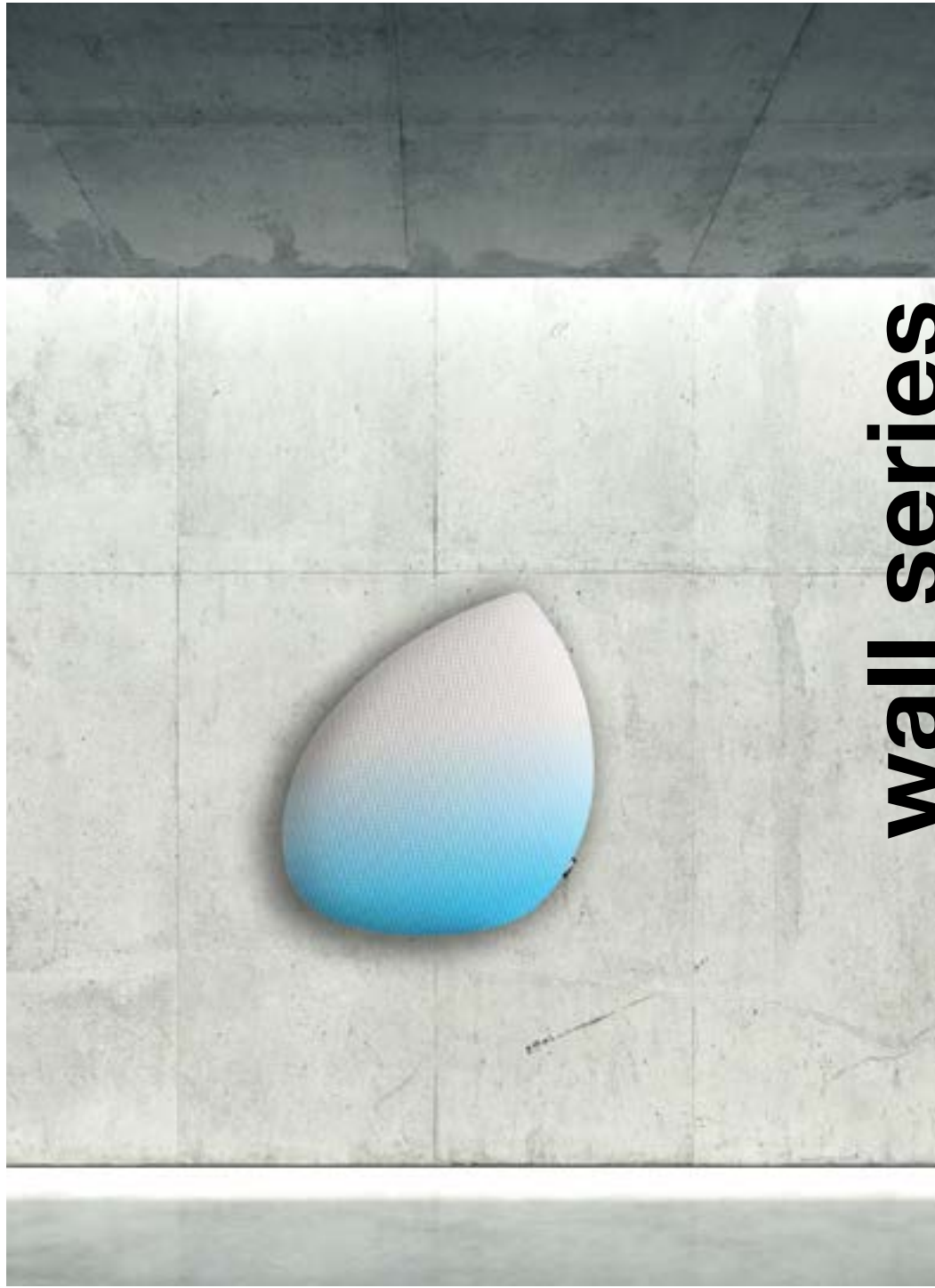
## Mounting

Strong magnet on the back.  
Steel plate mounted to the wall.

## Recommended retail price (net)

from 420.00 €/piece





**wall series**

# AKUTEX®; soft feel

A flexible, light acoustic material with an exceptionally soft feel and a distinctive structure.

Manufactured using a special weaving process that guarantees a uniform look viewed from every angle. The hard-wearing material is therefore ideal for covering acoustic panels or design elements that provide a sound absorbing function. Class A sound absorptivity.

With its wide range of colours, AKUTEX® harmonises perfectly with modern architectural materials such as concrete, slate or wood. A universal product for interior textile design from an acoustic perspective.

## Product characteristics

distinctive look  
100 % polyester  
16 colours, also digitally printable  
OEKO-TEX® certified

## Fire resistance class

flame-retardant, DIN EN 13501-1 B-s1, d0

## Acoustic information

acoustic absorption value  $\alpha_w$  0.90, class A,  
DIN EN ISO 354, type E-50



## **SILENCIO®;** **three-dimensional**

Acoustic fabric with a distinguished three-dimensional visual effect, sound absorbing plus sound wave refracting properties. It thus positively influences our perception of sound.

In a unique way, SILENCIO® combines function and aesthetics. Due to its textured surface and depending on the viewing angle, an interesting play of light comes about on wall, ceiling or object. The textile has a modern, clear, yet emotional appeal.

SILENCIO® is available in many colours. It is also digitally printable with a high sharpness of detail and thus the ideal material for contemporary interior designs while taking into account acoustic aspects. This additionally includes forward-thinking, dynamic approaches using partitions or room-in-room concepts.



### **Product characteristics**

waffle structure: 2.5/ 5/ 10 mm  
100 % Trevira CS  
21 colours, also digitally printable  
OEKO-TEX® certified

### **Fire resistance class**

flame-retardant, DIN EN 13501-1 B-s1, d0

### **Acoustic information**

acoustic absorption value  $\alpha_w$  0.85, class B,  
DIN EN ISO 354, type E-50

**PONGS TEXTIL GMBH** | Head Office

Boschstraße 2

48703 Stadthorn | Germany

Phone +49 2563 405-0

Fax +49 2563 405-140

info@pongs.de

**PONGS TECHNICAL TEXTILES GMBH** | Production

Bahnhofstraße 21

07919 Pausa-Mühltröf | Germany

Phone +49 36645 350-0

Fax +49 36645 350-191

technicaltextiles@pongs.de

