

Soundleaves

The whole world of technical textiles.

Made for you.



PONGS®



**Create a soothing atmosphere
with Soundleaves®**

Soundleaves® are leaf-shaped elements intended to reduce disrupting ambient sounds. Sophisticated design paired with a maximum of sound absorption, developed by Dutch acoustics experts Incatro BV. The perfect symbiosis of functional and aesthetic properties was awarded the prestigious Red Dot Design Award by Design Zentrum NRW in 2017. Covered with acoustic textiles SILENCIO® and AKUSTICO® the acoustic elements are exclusively available from PONGS®.

The striking, curvy design sets Soundleaves® well apart from conventional, static acoustic panels and adds an emotional touch to professional interior design. They can be put in place flexibly, as single elements or in groups, in order to enhance room acoustics.

They come in four different styles which can be combined.

soundleaves
ACOUSTIC SOLUTIONS

of
silence





calm ness

in habitat

Air series Suspended from the ceiling



Smooth, acoustically hard ceilings often cause disturbing noise reflexions.

Create playful, colourful noise barriers above or in-between workstations and in open-plan or high rooms.



Measurements

570 x 660 x 110 mm

Cover fabrics

AKUSTICO®

SILENCIO®

Fire resistance class

Euro-Class B: flame-retardant

EN 13823, Figra < 120 w/s + thr < 7.5 mj

EN ISO 11925-2 (30 sec- Fs<150 mm-60 sec)

Acoustic information

NRC 0.95 | $A_{\text{element}} = 0.7$

Weight

ca. 3.2 kg

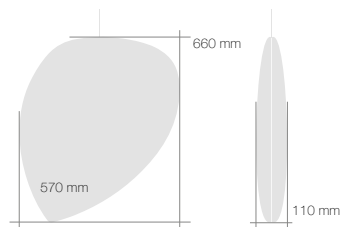
Mounting

At the ceiling using steel wire.

Elements can be linked (max.4).

Recommended retail price (net)

from 504.00 €/piece



Desk series

At eye level

Create silence and privacy at your (mobile) workstation. The ideal flexible acoustic solution for those who enjoy decorating their own office space.

Measurements

640 x 670 x 110 mm

Base

flat, matte black steel
ø 180 mm, thickness 5 mm

Cover fabrics

AKUSTICO®
SILENCIO®

Fire resistance class

Euro-Class B: flame-retardant
EN 13823, Figa <120 w/s + thr < 7.5 mj
EN ISO 11925-2
(30 sec- Fs<150 mm-60 sec)

Acoustic information

NRC 0.95 | $A_{\text{element}} = 0.7$

Weight

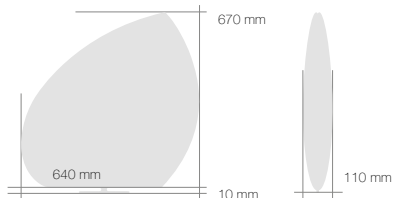
ca. 6.0 kg including base

Mounting

Round base that stands freely on the desk.

Recommended retail price (net)

from 545.00 €/piece





desk series



Floor series

Partitioning space

Create silent workstations in big, open-plan rooms and place acoustic barriers between them.

Measurements

available in 2 sizes

1100 x 1500 x 110 mm

1100 x 1800 x 110 mm

Base

flat, matte black steel

ø 180 mm, thickness 5 mm

Cover fabrics

AKUSTICO®

SILENCIO®

Fire resistance class

Euro-Class B: flame-retardant

EN 13823, Figa <120 w/s + thr < 7.5 mj

EN ISO 11925-2

(30 sec- Fs<150 mm-60 sec)

Acoustic information

1500 mm high: NRC 0.95 | $A_{\text{element}} = 2.4$

1800 mm high: NRC 0.95 | $A_{\text{element}} = 2.9$

Weight

1500 mm high: ca. 26.0 kg including base

1800 mm high: ca. 30.0 kg including base

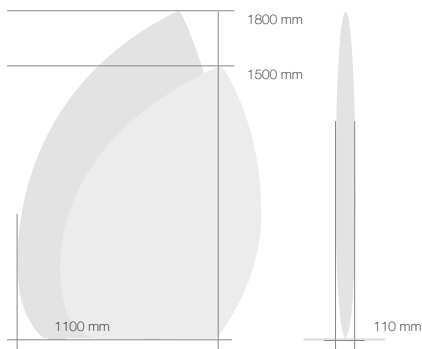
Mounting

Flat base that stands on the floor.

Recommended retail price (net)

1500 mm high: from 1344.00 €/piece

1800 mm high: from 1511.00 €/piece



floor series

Wall series Holding tight

The most creative and effective solution to reverberations and disturbing noise reflexions for walls in case the speech intelligibility is very poor.

Measurements

570 x 660 x 59 mm

Cover fabrics

AKUSTICO®

SILENCIO®

Fire resistance class

Euro-Class B: flame-retardant

EN 13823, $Q_{fl,w} < 120$ w/s + $t_{thr} < 7.5$ mj

EN ISO 11925-2

(30 sec- $F_s < 150$ mm-60 sec)

Acoustic information

NRC 0.95 | $A_{element} = 0.4$

Weight

ca. 2.6 kg

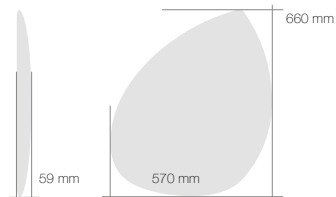
Mounting

Strong magnet on the back.

Steel plate mounted to the wall.

Recommended retail price (net)

from 420.00 €/piece





wall series

AKUSTICO®

Soft Feel

Surprise your senses with AKUSTICO®. The striking look captivates the view, but only the wonderfully soft feeling makes this acoustic textile a true experience. A special weaving process guarantees uniform appearance from every perspective. Because AKUSTICO® is particularly resistant to abrasion, it is optimally suited as a cover fabric for furniture and innovative design elements with an effective sound-absorbing function.

Thanks to the multi-faceted color spectrum, AKUSTICO® blends perfectly with modern architectural materials such as concrete, slate or wood. The acoustic perspective at a glance: AKUSTICO® gives individual pep for innovative interior designs.

Product characteristics

Sound-absorbing fabric
Striking look thanks to crease-resistant crepe weave
Available in 17 colors or digitally printed on request

Fire resistance class

Flame-retardant according to B-s1, d0,
DIN EN 13501-1, NFPA 701-2015

Acoustic information

Sound absorption value 0.90 / A
Acoustic certificate (type of assembly E-50)
according to DIN EN ISO 354



SILENCIO®

Dynamic three-dimensional

For that special something: SILENCIO®. The acoustic fabric with striking three-dimensional optics absorbs sound waves, breaks them and thus influences the sound perception positively. SILENCIO® fascinates not only by reduced clear structures and a technically modern appearance, but by its perfect liaison of function and aesthetics. Sound-absorbing properties enhance the surround sound, the striking surface creates an interesting play of light.

SILENCIO® is available in various colors, but can also be printed digitally with a high degree of detail on request.

Product characteristics

Sound-absorbing textile

Unique, three-dimensional woven fabric

100% Trevira CS

Available with 2,5, 5 and 10 mm diamond sizes

OEKO-TEX® standard 100

Certified for HP latex inks

Fire resistance class

Flame-retardant according to B-s1, d0,

DIN EN 13501-1, M1 NF P 92 503-507,

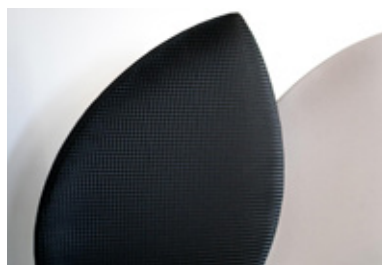
ASTM E 84-16

Acoustic information

Sound absorption value 0.85 / B

Acoustic certificate (type of assembly E-50)

according to DIN EN ISO 354



material

Head Office Stadtlohn

—

PONGS TEXTIL GMBH

Boschstraße 2
48703 Stadtlohn | Deutschland
Phone +49 2563 405-0
info@pongs.de

Sales & Creative Department | Showroom

—

ARTHUR PONGS TEXTIL GMBH & CO. KG

Villa Lantz
Lohausen Dorfstraße 51 - Lantz'scher Park
40474 Dusseldorf | Deutschland
Phone +49 211 54230-800
creative@pongs.de

Production Mühltruff

—

PONGS TECHNICAL TEXTILES GMBH

Bahnhofstraße 21
07919 Pausa-Mühltruff | Deutschland
Phone +49 36645 350-0
technicaltextiles@pongs.de

www.pongs.com

Follow:

—

www.facebook.com/PONGSTechnicalTextiles
www.instagram.com/pongsdesign
www.pinterest.de/pongsdesign
www.twitter.com/PongsGroup